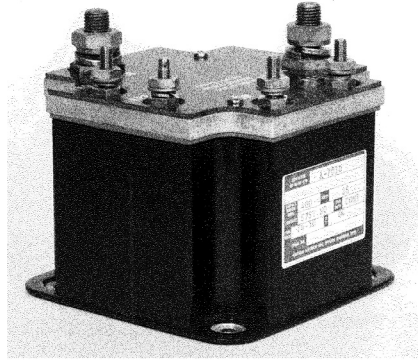


## A-701 Series Cutout — Reverse Current, Rated up to 400 Amps, 28 Vdc

See Part Number Listing on Last Page

### Product Facts

- SPST NO, Double break
- Gasket sealed
- Meets many requirements of MIL-C-5026 and MIL-PRF-6106



### Performance Data

#### Electrical Characteristics

- Contact Arrangement** — SPST NO, Double Break
- Rated Operating Voltage** — 28 Vdc
- Resistive Rating** — 400 Amps
- Resistive for 30 sec.** — 1,000 Amps
- Inrush Rating** — 1,500 Amps
- Reverse Current Dropout** —  
A-701D — 25 to 50 Amps  
A-701C — 18 to 35 Amps

### General Characteristics

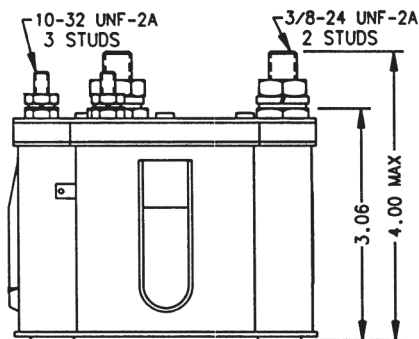
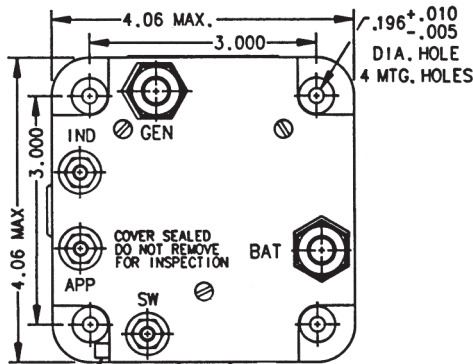
- Temperature Range** —  
-55°C to +71°C
- Operating Cycles (Life) at Rated Resistive Load, Min.** — 50,000 cycles
- Operating Cycles (Life) Mechanical, Min.** — 100,000 cycles
- Electrical** — 50,000 min.
- Dielectric Strength** —  
All Circuits to Ground — 1,250 Vrms  
Circuit to Circuit — 1,250 Vrms  
Coil to Ground and Aux. Contacts — 500 Vrms
- Differential Pickup** —  $0.5 \pm .15$  Vdc

### Weight, Max. —

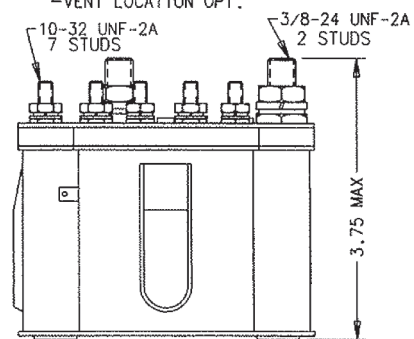
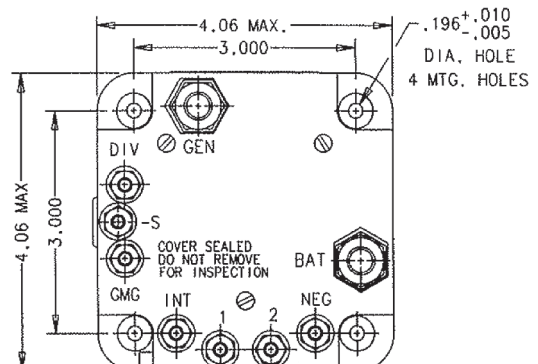
- A-701D — 3 lbs 10 oz
- A-701C — 4 lbs

### Coil Characteristics

- Duty Cycle** — Continuous, economizing
- Duty Cycle when using “APP” on A-701D or “GMG” on A-701C** — Intermittent
- Nom. Coil Voltage** — 24 to 30 Vdc
- Pickup Voltage, Max.** —  
A-701D — 15 Vdc  
A-701C — 12 Vdc
- Dropout Voltage** — 0.5 to 7.0 Vdc



Mounting Style A

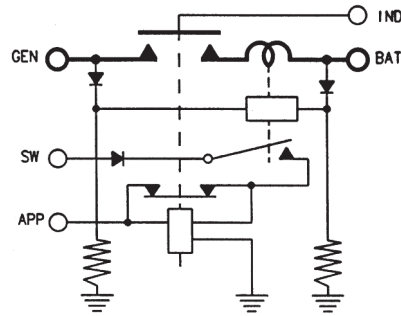


Mounting Style B

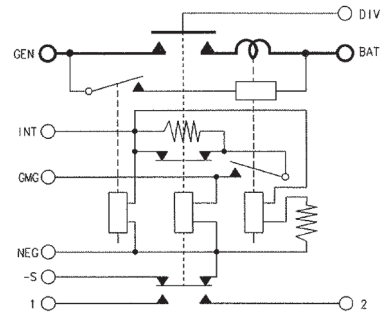
For factory-direct application assistance, phone 419-521-9500 or fax 419-526-2749.

## A-701 Series Cutout — Reverse Current, Rated up to 400 Amps, 28 Vdc (Continued)

**Circuit Configurations** (Consult factory for other available circuit configurations)



Circuit Configuration 1



Circuit Configuration 2

HARTMAN Part Number	Construction Type	Mounting Style	Coil Type	Circuit Config.	TE Part Number
A-701D	Gasket/Vented	A	Continuous, Economizing	1	1-1616109-1
A-701C	Gasket/Vented	B	Continuous, Economizing	2	1-1616109-0

For factory-direct application assistance, phone 419-521-9500 or fax 419-526-2749.